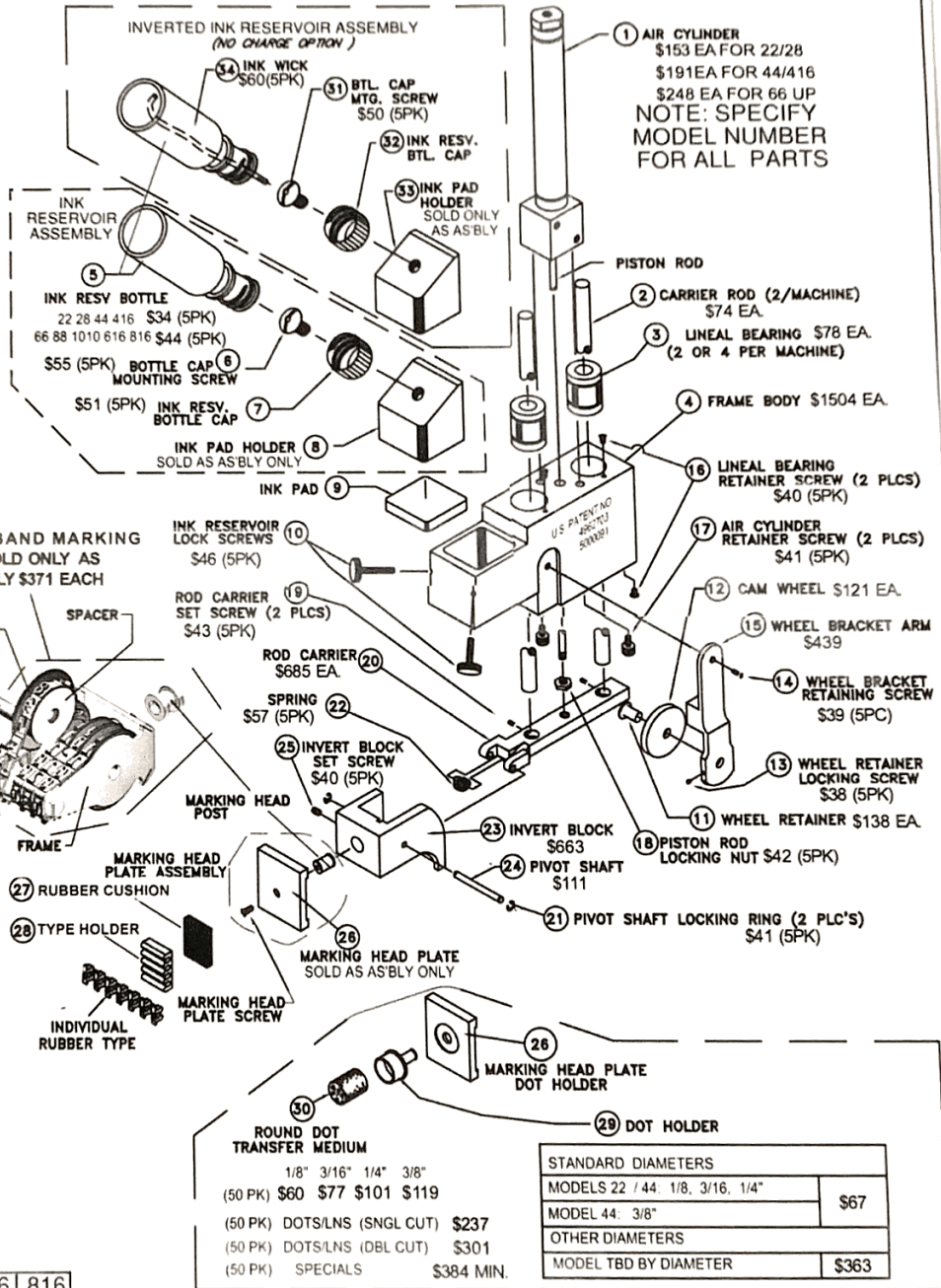


# SPRINTER MARKING PRICE CHART

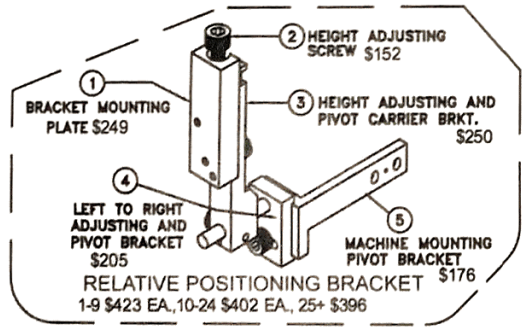
EFFECTIVE SEP 1, 2022

INK				
PACKAGE	BTL	BTL	PINT	QT
OUNCES	1/4	1/2	16	32
QTY	25	50	25	50
GRADE			ORD	ORD
18696			\$80	\$108
14283			\$75	\$112
18504			\$121	\$174
18125			\$96	\$122
18200	\$155	\$211	\$208	\$274
18114 (UV)			\$118	\$150
18235			\$112	\$141
18106			\$140	\$172
SOLVENT	\$188	\$224	\$71	\$92

INK COLORS
BLACK
WHITE
RED
LIGHT RED
PINK
PURPLE
VIOLET
YELLOW
CANARY YELLOW
BROWN
TAN
ORANGE
GREEN
LIME GREEN
BLUE
LIGHT BLUE



**INTERNATIONAL AIR SHIPMENTS:**  
 QUARTS: 4 QUART MINIMUM ORDER AND ADDITIONAL REQUIREMENTS MUST BE IN 4 QUART INCREMENTS THE FIRST SPECIAL SHIPPING CARTON (4 QT. SIZE) IS \$160.00 AND ALL ADDITIONAL CARTONS ARE \$110.00  
 BOTTLES: 100 BOTTLE MINIMUM ORDER  
 4 CANS PER SHIPPING BOX  
 1/4 oz. BOTTLES 100 PER CAN + \$160 FIRST BOX  
 1/2 oz. BOTTLES 50 PER CAN + \$160 FIRST BOX  
 1 oz. BOTTLES 25 PER CAN + \$160 FIRST BOX  
 ALL ADDITIONAL SHIPPING BOXES ARE \$110.00 EACH.



MODEL	22	28	44	66	88	1010	416	616	816	
STANDARD MACHINES	1-9 \$2555	\$2744	\$2364	\$2448	\$2525	\$2627	\$3085	\$3169	\$3245	
	10-24 \$2417	\$2636	\$2253	\$2282	\$2257	\$2464	\$2968	\$3044	\$3169	
	25+ \$2292	\$2497	\$2095	\$2122	\$2040	\$2302	\$2858	\$2922	\$3009	
INK RESERVOIR	EACH \$231	\$263	\$249	\$275	\$293	\$330	\$369	\$403	\$431	
MARKING HEAD	EACH \$81	\$93	\$94	\$103	\$101	\$105	\$108	\$111	\$113	
INK PAD	MEDIA 100	\$128	\$231	\$168	\$218	\$249	\$336	\$260	\$361	\$404
	50	\$98	\$173	\$127	\$163	\$188	\$252	\$193	\$269	\$290
GRAY 50	\$127	\$232	\$142	\$188	\$214	\$244	\$234	\$273	\$292	
TYPE HOLDER	5	\$58	\$61	\$64	\$79	\$96	\$114	\$97	\$183	\$208
CUSHION	5	...	...	\$34	\$41	\$50	\$62	\$60	\$86	\$126
SNGL-CHAR	...	...	...	...	...	...	...	...	...	...
TYPE KIT	1	LTR-NBR (2-6 EA) \$78		5/16 - 3/8" (5 PK) \$98		1/2 - 15/16" (5 PK) \$137		NBR (4-5 EA) \$77		DATE CODE (1 EA) \$162
LOGO TYPE	5	\$182		/ARTWORK LAYOUT PER ATTEMPT \$147						
OPERATING EQUIPMENT			OTHER							
4 WAY VALVE			\$154	BENCH TOP BASE		\$2081				
HALL/REED SWITCH			\$104	BENCH MOUNT BASE		\$1081				
FLOW CONTROL			\$41	WASHDOWN MACHINE		+\$886				
MICRO PILOT W/FITTINGS			\$168	WASHDOWN BRACKET		+\$201				
SERVICE KITS	INITIAL OPERATING SUPPLY REPLINISHING \$496									
	EMERGENCY MAINTENANCE \$297									
	HARDWARE KIT \$170				SUPPLIES KIT \$166					
SUDDEN SERVICE	MACHINES (STANDARD MODELS ONLY)				PER MACHINE \$309					
	MACHINES (NON STANDARD MODELS)				PER MACHINE \$555					
	INK (US / CANADA ONLY)				PER ORDER \$184					
	OPERATING SUPPLIES/AUXILIARY EQUIP/PARTS				PER ORDER \$188					

TYPE			
SIZE			
INCH	MM	RIBS	NBR
1/16	1.6	2	07
5/64	2.0	2	08
7/64	2.8	2	09
1/8	3.2	2	010
9/64	3.6	2	011C
3/16	4.8	2	012C
1/4	6.4	2	013C
5/16	8.0	3	014C
3/8	9.5	3	015C
7/16	11.1	4	015.5C
1/2	12.7	4	016C
5/8	15.9	5	017C
3/4	19.1	6	018C

EXT	MACH	RODS	CYL	WH BRK
STROKE				
E1, E2 OR E4	+\$440	\$220	\$291	NA
E	+\$819	\$289	\$449	NA
HEAD				
EH 1	+\$1216	\$224	\$264	\$960
EH 1 E	+\$1843			
EH E	+\$2753	\$289	\$541	\$2362

EXTENDED HEADS	EH TYPE / DOT / BAND HOLDER	\$364
MTO MACHINES (E.G. MODEL 2020) <td>EH_TYPE / DOT HOLDER</td> <td>\$721</td>	EH_TYPE / DOT HOLDER	\$721
SPECIAL	HEADS	QUOTE
	RESERVOIRS	\$721