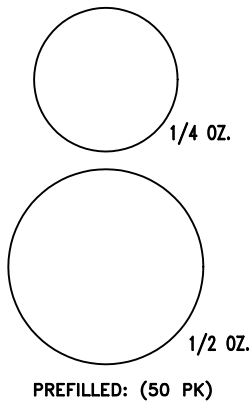


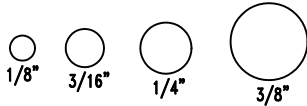
RETAIN FOR REFERENCE

INK BOTTLE SIZES



DOT MARKING HEAD

AVAILABLE IN THESE DIAMETERS
 MODEL 22: 1/8, 3/16, 1/4"
 MODEL 44: (OPTIONAL) 1/8, 3/16, 1/4, 3/8"



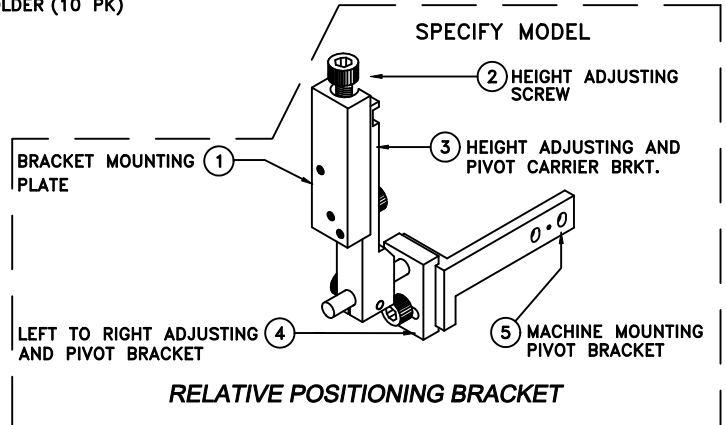
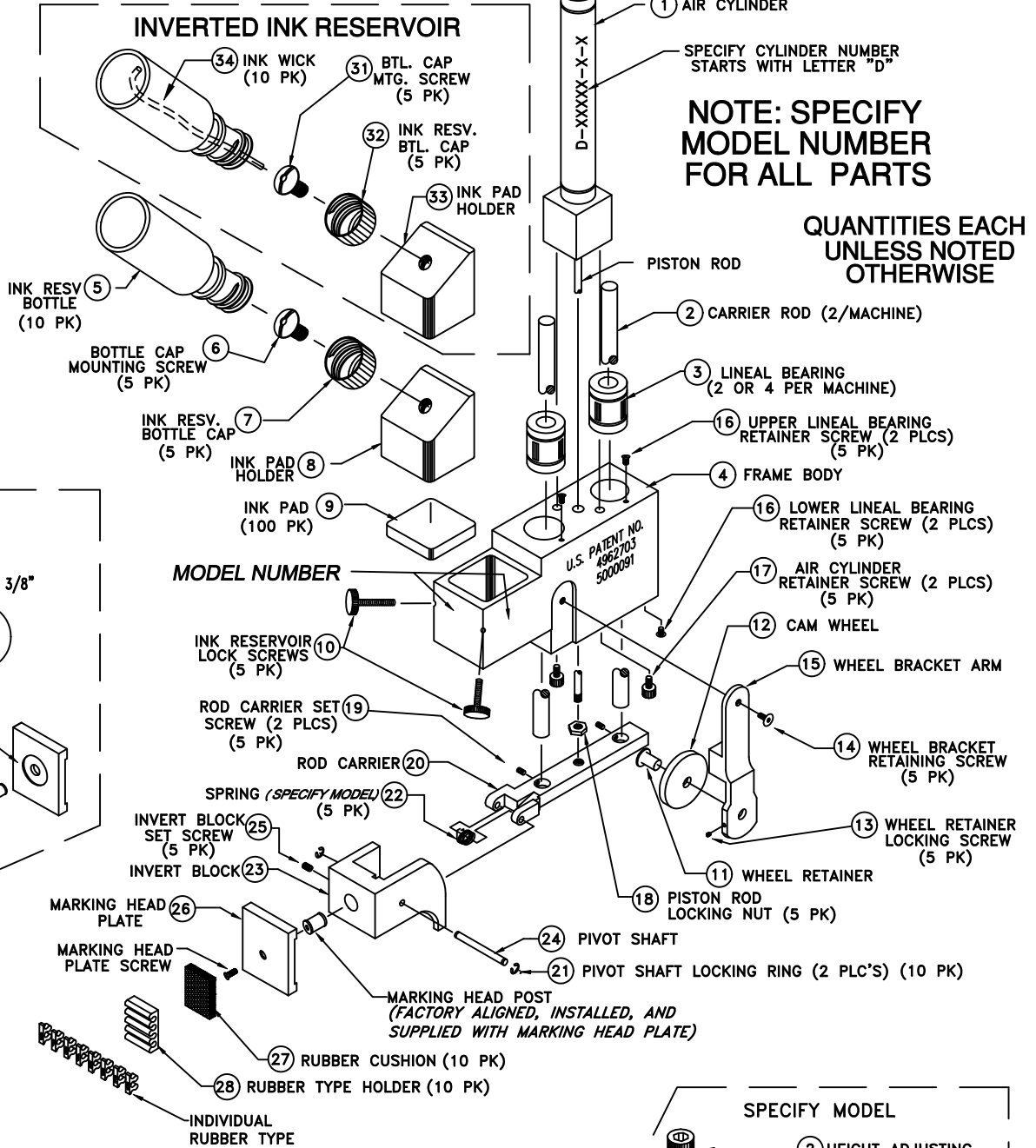
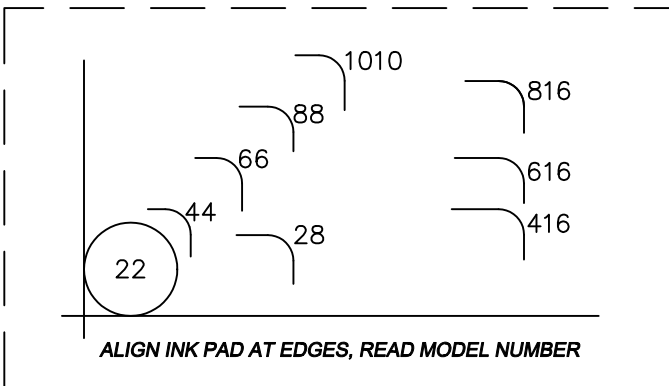
MARKING HEAD PLATE (26A)

DOT HOLDER (29)
 (SPECIFY DIAMETER AND MACHINE MODEL NO.)

ROUND DOT TRANSFER MEDIUM (30)
 (50 PK)

QUANTITIES EACH UNLESS NOTED OTHERWISE

MODEL IDENTIFICATION GUIDE



THIS DRAWING IS COMPATIBLE WITH PARTS LIST PL-03

EXPLODED PARTS DRAWING AND MODEL IDENTIFICATION GUIDE

COPYRIGHT © 2010, SPRINTER MARKING, INC. ALL RIGHTS RESERVED.

sales@sprintermarking.com